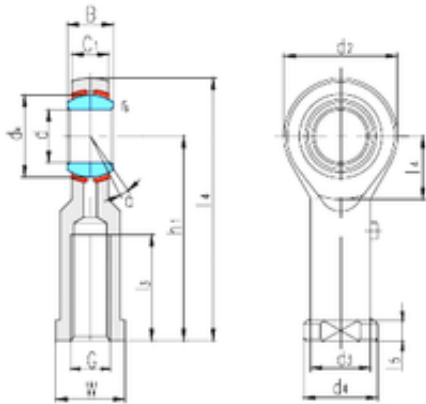




BEARING de Mexico?S.A.



SIBP30S Bearing 2D drawings and 3D CAD models

LS SIBP30S Simple bearings

Bearing No. SIBP30S

Bore Diameter	30 mm
d	30 mm
B	37 mm
d2	70 mm
d3	40 mm
d4	50 mm
dk	50,8 mm
h1	110 mm
l3 min.	56 mm
l4 max.	145 mm
l5	15 mm
l7 min.	34 mm
r min.	0,6 mm
C1	25 mm
W	41 mm
Thread (G)	M30 × 2
Angle	17 °
Weight	1,13 Kg
Basic dynamic load rating (C)	63 kN