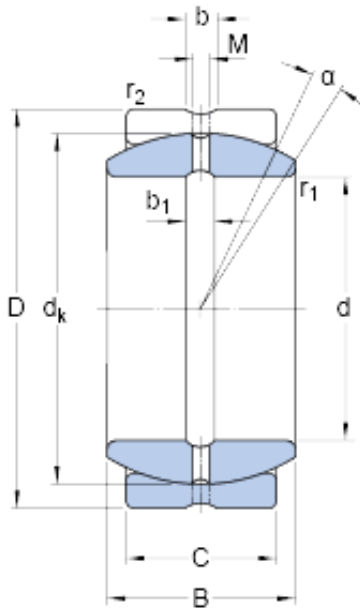




BEARING de Mexico?S.A.

50.8 mm x 80.963 mm x 44.45 mm SKF GEZ
200 ES Simple bearings

Bearing No. GEZ 200 ES



GEZ 200 ES Bearing 2D drawings and 3D CAD models

Size	80.963x50.8x44.45 mm
Bore Diameter	80,963 mm
Outer Diameter	50,8 mm
Width	44,45 mm
d	50.8 mm
D	80.963 mm
B	44.45 mm
C	38.1 mm
	6 °
d _k	73.025 mm
b	4.8 mm
b ₁	5 mm
M	4 mm
r ₁ - min.	0.6 mm
r ₂ - min.	1 mm
d _a - min.	55.1 mm
d _a - max.	57.9 mm
D _a - min.	69.4 mm
D _a - max.	75.9 mm
r _a - max.	0.6 mm
r _b - max.	1 mm
Basic dynamic load rating - C	224 kN
Basic static load rating - C ₀	670 kN
Specific factor dinamic load - K	100 N/mm ²



BEARING de Mexico?S.A.

Specific factor static load - K_0	300 N/mm ²
Constant - K_M	330
Category	Spherical Plain Bearings - Radial
Inventory	0.0
Manufacturer Name	SKF
Minimum Buy Quantity	N/A
Weight / Kilogram	0.93
EAN	7316576612299
Product Group	B04264
Self Aligning	Yes
Rolling Element	Spherical Plain
Material - Outer Member	Steel
Material - Ball	Steel
Material - Liner	Not Applicable
Relubricatable	Yes
Enclosure	Open
Other Features	2 Piece Lubrication Hole and an Annular Groove in Both Rings
Long Description	2" Bore; 1.5" Housing Width; 3-3/16" Outside Diameter; Steel Outer Member; Steel Ball; No Liner; 1-3/4" Overall Width; Relubricatable
Inch - Metric	Inch
Category	Plain Bearings Spherical Radial
UNSPSC	31171515
Harmonized Tariff Code	8483.30.80.70
Noun	Bearing
Keyword 3	Spherical
Keyword String	Plain Spherical Radial



BEARING de Mexico?S.A.

Manufacturer URL	http://www.skf.com
Manufacturer Item Number	GEZ 200 ES
Weight / LBS	2.05
Housing Width	1.5 Inch 38.1 Millimeter
Overall Width	1.75 Inch 44.45 Millimeter
Outside Diameter	3.188 Inch 80.975 Millimeter
Bore	2 Inch 50.8 Millimeter
bore diameter:	2.0000 in
outer ring width:	1.5000 in
outside diameter:	3.1875 in
grade:	Commercial/Industrial
misalignment angle:	6 °
overall width:	1.7500 in
inner ring width:	1.7500 in
radial static load capacity:	150622 lbf
bearing type:	Radial
radial dynamic load capacity:	50357 lbf
lubrication type:	Requires Lubrication
operating temperature range:	-50 to +200 ° C ° F
closure type:	Open
weight:	2.05 lbs
outer ring material:	Chrome Steel
manufacturer product page:	Click here
inner ring material:	Chrome Steel
manufacturer upc number:	7316576612299
Lubricant	Regular relubrication – grease
Design (sliding contact surface combination)	Steel/steel
Sealing solution	-
	6 °



BEARING de Mexico?S.A.

d_k	73.025 mm
b_1	5 mm
r_1 min.	0.6 mm
r_2 min.	1 mm
d_a min.	55.1 mm
d_a max.	57.9 mm
D_a min.	69.4 mm
D_a max.	75.9 mm
r_a max.	0.6 mm
r_b max.	1 mm
Basic dynamic load rating C	224 kN
Basic static load rating C_0	670 kN
Specific dynamic load factor K	100 N/mm ²
Specific static load factor K_0	300 N/mm ²
Material constant K_M	330
Mass plain bearing	0.93 kg