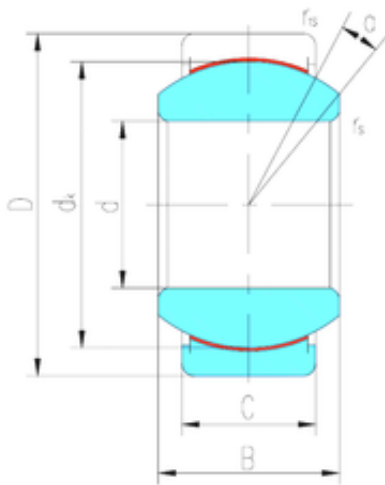




## BEARING de Mexico?S.A.



100 mm x 160 mm x 85 mm LS GEG100ET-2RS  
Simple bearings

Bearing No. GEG100ET-2RS

|                               |               |
|-------------------------------|---------------|
| Size                          | 100x160x85 mm |
| Bore Diameter                 | 100 mm        |
| Outer Diameter                | 160 mm        |
| Width                         | 85 mm         |
| d                             | 100 mm        |
| D                             | 160 mm        |
| B                             | 85 mm         |
| C                             | 55 mm         |
| dk                            | 140 mm        |
| r min.                        | 1 mm          |
| r1 min.                       | 1 mm          |
| Angle                         | 14 °          |
| Weight                        | 6,04 Kg       |
| Basic dynamic load rating (C) | 1150 kN       |

GEG100ET-2RS Bearing 2D drawings and 3D CAD models