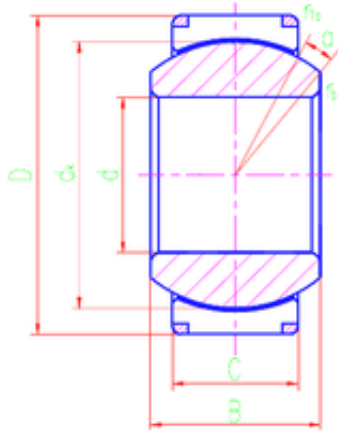




## BEARING de Mexico?S.A.

280 mm x 400 mm x 200 mm LS  
GEH280XT-2RS Simple bearings



Bearing No. GEH280XT-2RS

Size	280x400x200 mm
Bore Diameter	280 mm
Outer Diameter	400 mm
Width	200 mm
d	280 mm
D	400 mm
B	200 mm
C	190 mm
dk	370 mm
r min.	1,1 mm
r1 min.	1,1 mm
Angle	2 °
Weight	96 Kg
Basic dynamic load rating (C)	10540 kN

GEH280XT-2RS Bearing 2D drawings and 3D CAD models