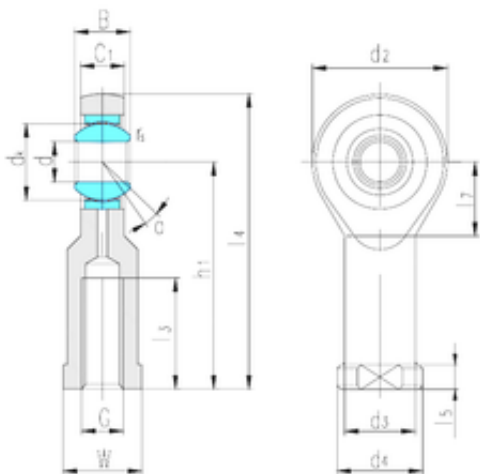




BEARING de Mexico?S.A.

LS SI20C Simple bearings

Bearing No. SI20C



SI20C Bearing 2D drawings and 3D CAD models

Bore Diameter	20 mm
d	20 mm
B	16 mm
d2	53 mm
d3	28 mm
d4	34 mm
dk	29 mm
h1	77 mm
l3 min.	40 mm
l4 max.	103,5 mm
l5	10 mm
l7 min.	25,5 mm
r min.	0,3 mm
C1 max	13,5 mm
G	M20 × 1,5 mm
W	30 mm
Angle	9 °
Weight	0,35 Kg
Basic dynamic load rating (C)	31 kN