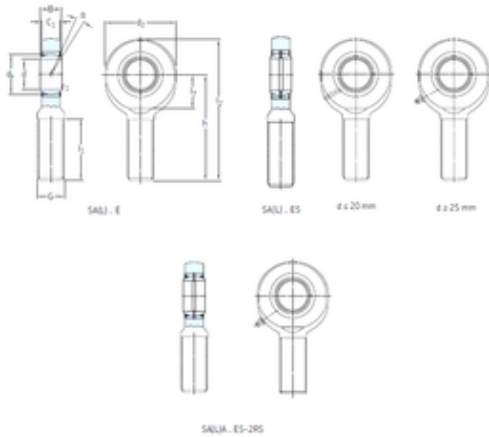




BEARING de Mexico?S.A.



SKF SA40ES-2RS Simple bearings

Bearing No. SA40ES-2RS

Bore Diameter	40 mm
d	40 mm
d2	94 mm
dk	53 mm
h	145 mm
l1 min.	90 mm
l2 max.	194 mm
l7 min.	46 mm
r1 min.	0,6 mm
B	28 mm
C1	24 mm
Thread (G)	M42x3 Tolerance 6g
Angle	6 °
Weight	1,9 Kg
Basic dynamic load rating (C)	100 kN

SA40ES-2RS Bearing 2D drawings and 3D CAD models