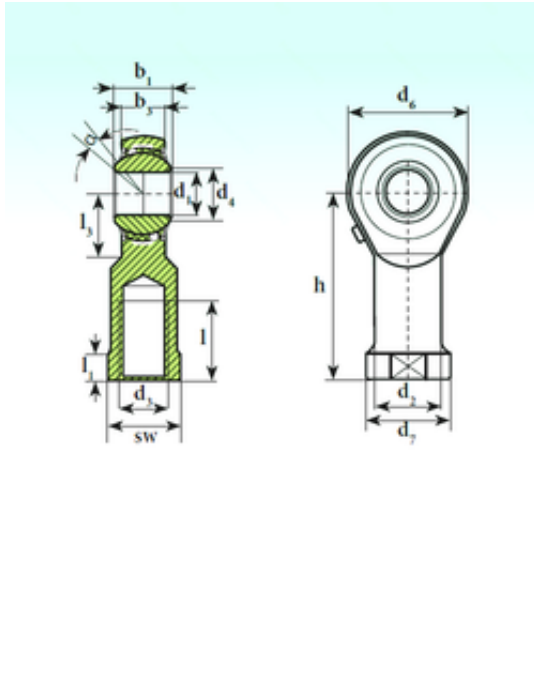




BEARING de Mexico?S.A.



TSF 20 BB-O Bearing 2D drawings and 3D CAD models

ISB TSF 20 BB-O Self-aligned ball bearings

Bearing No. TSF 20 BB-O

Bore Diameter	20 mm
d1	20 mm
d7	34 mm
l	33 mm
b1	25 mm
d2	27,5 mm
d4	24,5 mm
d6	50 mm
h	77 mm
l1 min.	10 mm
l3 min.	26 mm
SW	30 mm
B3	18 mm
Thread (G)	M20x1,5
Angle	7 °
Weight	0,338 Kg
Basic dynamic load rating (C)	7,9 kN
Basic static load rating (C0)	3,45 kN
Limiting speed	825 r/min
Calculation factor (Y)	2,46