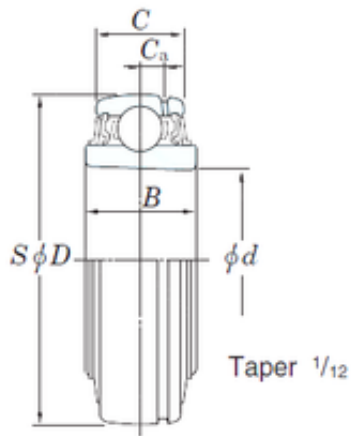




## BEARING de Mexico?S.A.



65 mm x 125 mm x 40 mm KOYO UKX13  
Rigid ball bearings

Bearing No. UKX13

Size	65x125x40 mm
Bore Diameter	65 mm
Outer Diameter	125 mm
Width	40 mm
d	65 mm
D	125 mm
B	40 mm
C	30 mm
C	9 mm
Weight	1,62 Kg
Basic dynamic load rating (C)	62,2 kN
Basic static load rating (C0)	44,1 kN

UKX13 Bearing 2D drawings and 3D CAD models