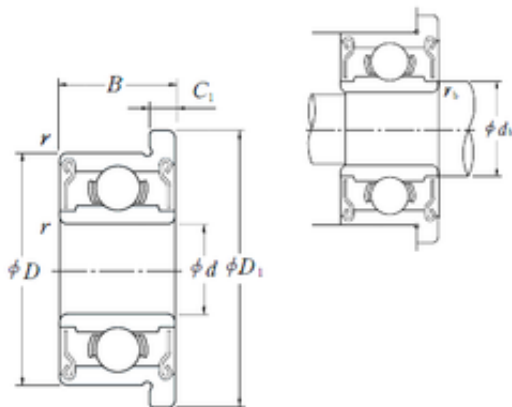




## BEARING de Mexico?S.A.



9 mm x 17 mm x 5 mm NSK F689DD Rigid ball bearings

Bearing No. F689DD

F689DD Bearing 2D drawings and 3D CAD models

Size	9x19x5 mm
Bore Diameter	9 mm
Outer Diameter	19 mm
Width	5 mm
d	9 mm
D	17 mm
D1	19 mm
B	5 mm
r min.	0,2 mm
C1	1,1 mm
db max.	11,5 mm
rb max.	0,2 mm
Weight	4,91 Kg
Basic dynamic load rating (C)	1330 kN
Basic static load rating (C0)	665 kN
SRI	1.12
hidYobi	F689DD
LangID	1
D_	17
SREX	0.02
C	1.33
B_	5
hidTable	ecat_NSESBMF
C0r	68
SRE	1.12



## BEARING de Mexico?S.A.

rb	0.2
mass	4.91
GRS rpm	24000
SRIX	0.02
Cr	136
SRIN	0
C_1	1.1
C0	0.665
C2	1.1
fo	15.114
SREN	0
D_1	19
DE_	15
Prod_Type3	ESM_MD_WF_DD
db	10.7
DA_	2
Z_	11
yobi	F689DD
SDM_	13
KBRG	619
D2	19
r1	0.2
DI_	11
B1	5