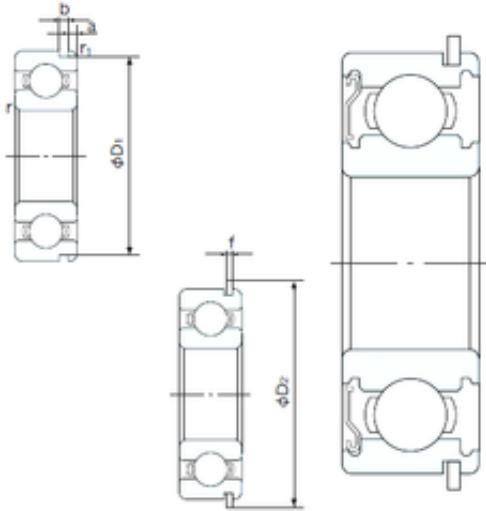




## BEARING de Mexico?S.A.



6208ZNR Bearing 2D drawings and 3D CAD models

40 mm x 80 mm x 18 mm NACHI 6208ZNR  
Rigid ball bearings

Bearing No. 6208ZNR

Size	40x80x18 mm
Bore Diameter	40 mm
Outer Diameter	80 mm
Width	18 mm
d	40 mm
D	80 mm
B	18 mm
C	18 mm
a	3.28 mm
b	1.9 mm
f	1.7 mm
r min.	1.1 mm
r1 min.	0.5 mm
D1	76.81 mm
D2	86.6 mm
Weight	0.366 Kg
Basic dynamic load rating (C)	29,1 kN
Basic static load rating (C0)	17,9 kN
(Grease) Lubrication Speed	8200 r/min
Category	Single Row Ball Bearings
Inventory	0.0
Manufacturer Name	NACHI
Minimum Buy Quantity	N/A
Weight / Kilogram	0
Product Group	B00308



## BEARING de Mexico?S.A.

Enclosure	1 Metal Shield
Precision Class	ABEC 1   ISO P0
Maximum Capacity / Filling Slot	No
Rolling Element	Ball Bearing
Snap Ring	Yes
Internal Special Features	No
Cage Material	Steel
Internal Clearance	C0-Medium
Inch - Metric	Metric
Long Description	40MM Bore; 80MM Outside Diameter; 18MM Outer Race Width; 1 Metal Shield; Ball Bearing; ABEC 1   ISO P0; No Filling Slot; Yes Snap Ring; No Internal Special Features; C0-Medium Internal Clearance; Stee
Other Features	Deep Groove   With Snap Ring
Category	Single Row Ball Bearing
UNSPSC	31171504
Harmonized Tariff Code	8482.10.50.68
Noun	Bearing
Keyword String	Ball
Manufacturer URL	<a href="http://www.nachiamerica.com">http://www.nachiamerica.com</a>
Weight / LBS	0.807
Bore	1.575 Inch   40 Millimeter
Outside Diameter	3.15 Inch   80 Millimeter
Outer Race Width	0.709 Inch   18 Millimeter
Inner Race Width	0 Inch   0 Millimeter
Bore Type	Cylindrical Bore
Configuration	Single Row
Bore Size	40 mm



## BEARING de Mexico?S.A.

Width	18 mm
Fillet Radius/Chamfer	1.1 mm
r1	0.5 mm
Snap Ring Width	1.7 mm
Snap Ring Outside Diameter	86.6 mm
D1 (max)	76.8 mm
a (max)	3.3 mm
b (min)	1.9 mm
Dynamic Load Rating	29,100 N
Static Load Rating	17,900 N
Limiting Speed - Grease	8,700 rpm
Limiting Speed - Oil	10,000 rpm
Factor fo	14.0
Radial Clearance	0.006 to 0.020 mm
da (min)	47 mm
Da (max)	73 mm
Dx (min)	88 mm
ra (max)	1 mm
Cy (max)	4.6 mm