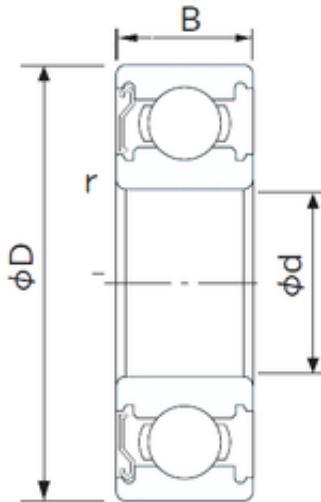




BEARING de Mexico?S.A.



110 mm x 200 mm x 38 mm CYSD 6222-Z
Rigid ball bearings

Bearing No. 6222-Z

Size	110x200x38 mm
Bore Diameter	110 mm
Outer Diameter	200 mm
Width	38 mm
d	110 mm
D	200 mm
B	38 mm
C	38 mm
r min.	2,1 mm
Weight	4,45 Kg
Basic dynamic load rating (C)	144 kN
Basic static load rating (C0)	117 kN
(Grease) Lubrication Speed	2800 r/min

6222-Z Bearing 2D drawings and 3D CAD models