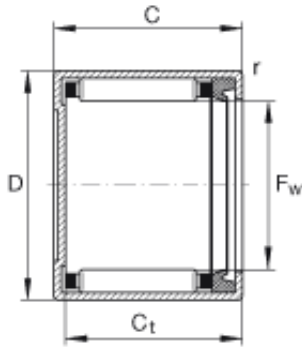




BEARING de Mexico?S.A.



INA BK2018-RS Needle bearings

Bearing No. BK2018-RS

| | |
|-----------------------------|--|
| Size | 20x26x18 mm |
| Bore Diameter | 20 mm |
| Outer Diameter | 26 mm |
| Width | 18 mm |
| F_w | 20 mm |
| D | 26 mm |
| C - 18 mm / Tolerance: -0,3 | 18 mm / Tolerance: 0,3 |
| $C_{t\min}$ | 15,3 mm |
| r_{\min} | 0,8 mm |
| m | 24 g / Weight |
| C_r | 12700 N / Dynamic load rating (radial) |
| C_{0r} | 20100 N / Static load rating (radial) |
| C_{ur} | 2500 N / Fatigue limit load, radial |
| $n_{G\text{Fett}}$ | 8500 1/min / Limiting speed for grease lubrication |
| | LR17X20X16,5 / Suitable inner ring |
| Category | Needle Non Thrust Roller Bearings |
| Inventory | 0.0 |
| Manufacturer Name | SCHAEFFLER GROUP |
| Minimum Buy Quantity | N/A |
| Weight / Kilogram | 0.03 |
| EAN | 4047643186827 |
| Product Group | B04144 |

BK2018-RS Bearing 2D drawings and 3D CAD models



BEARING de Mexico?S.A.

| | |
|---------------------------|--|
| Rolling Element | Needle Roller Bearing |
| Component | Roller Assembly with Outer Ring - No Inner Ring |
| Enclosure | 1 Seal |
| Self Aligning | No |
| Retainer | Yes |
| Number of Rows of Rollers | Single Row |
| Separable | No |
| Closed End | Yes |
| Inch - Metric | Metric |
| Relubricatable | No |
| Thrust Bearing | No |
| Long Description | 20MM Bore; 26MM Outside Diameter; 18MM Width; Needle Roller Bearing; Roller Assembly with Outer Ring - No Inner Ring; 1 Seal Enclosure; No Self Aligning; Retainer; Single Row of Rollers; No Separable; |
| Other Features | 1 Rib Outer Ring Drawn Cup Bearing Steel Cage |
| Category | Needle Non Thrust Roller Bearing |
| UNSPSC | 31171512 |
| Harmonized Tariff Code | 8482.40.00.00 |
| Noun | Bearing |
| Keyword String | Needle |
| Manufacturer URL | http://www.ina.com |
| Manufacturer Item Number | BK2018RS |
| Weight / LBS | 0.046 |
| Outside Diameter | 1.024 Inch 26 Millimeter |
| Width | 0.709 Inch 18 Millimeter |
| Bore | 0.787 Inch 20 Millimeter |