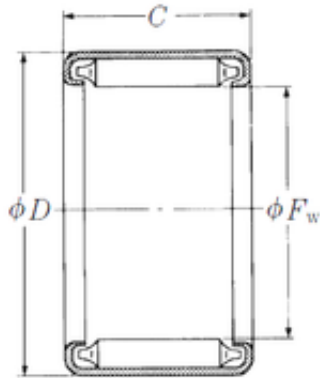




## BEARING de Mexico?S.A.

### NSK B-2010 Needle bearings

Bearing No. B-2010



Size	31.75x38.1x15.88 mm
Bore Diameter	31,75 mm
Outer Diameter	38,1 mm
Width	15,88 mm
Fw	31,75 mm
D	38,1 mm
C	15,88 mm
Weight	0,032 Kg
Basic dynamic load rating (C)	22,9 kN

B-2010 Bearing 2D drawings and 3D CAD models