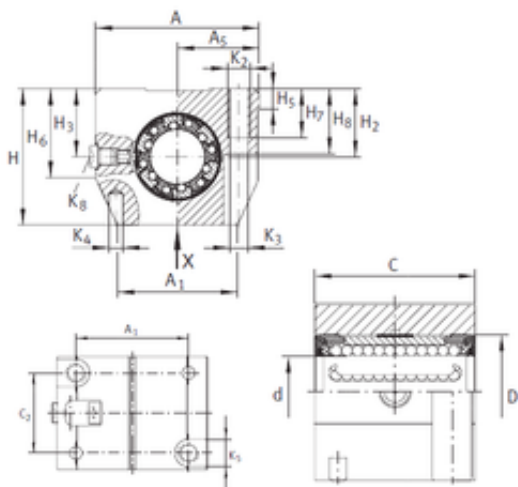




## BEARING de Mexico?S.A.

### INA KGN 30 C-PP-AS Linear bearings

Bearing No. KGN 30 C-PP-AS



KGN 30 C-PP-AS Bearing 2D drawings and 3D CAD models

Bore Diameter	30 mm
Outer Diameter	47 mm
d	30 mm
D	47 mm
H5	9,5 mm
H6	44,5 mm
H7	22 mm
H8	34 mm
K3	8,4 mm
K4	6 mm
K5	15 mm
Thread (K2)	M10
H3	35 mm
A5	43,5 mm
A	87 mm
A1	68 mm
C	68 mm
H	70 mm
H2	35 mm
C2	45 mm
Weight	0,83 Kg
Basic dynamic load rating (C)	3,8 kN