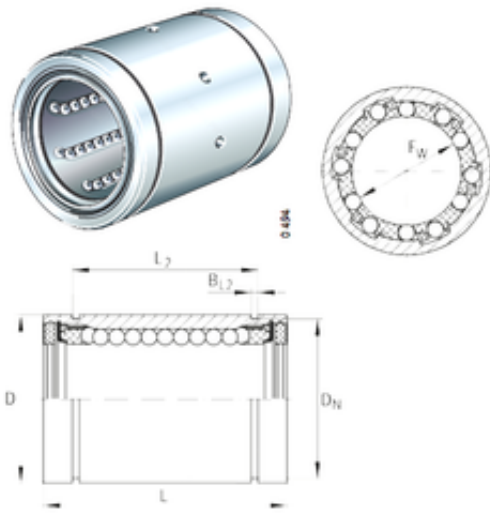




BEARING de Mexico?S.A.

INA KB30-PP Linear bearings

Bearing No. KB30-PP



Bore Diameter	30 mm
Outer Diameter	47 mm
Fw	30 mm
D	47 mm
Dn	44,5 mm
L2	51,7 mm
N2	2,5 mm
L	68 mm
BL2	1,85 mm
Weight	0,3 Kg
Basic dynamic load rating (C)	3,8 kN

KB30-PP Bearing 2D drawings and 3D CAD models