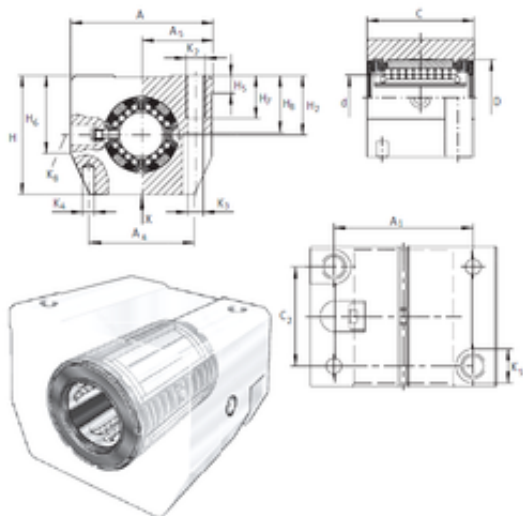




BEARING de Mexico?S.A.



KGSNG20-PP-AS Bearing 2D drawings and 3D CAD models

INA KGSNG20-PP-AS Linear bearings

Bearing No. KGSNG20-PP-AS

Size	20x32x45 mm
Bore Diameter	20 mm
Outer Diameter	32 mm
Width	45 mm
d	20 mm
D	32 mm
C	45 mm
H5	7,4 mm
H6	32,8 mm
H7	18 mm
H8	24 mm
K3	6,6 mm
K4	5 mm
K5	11 mm
Thread (K2)	M8
Thread (K8)	NIP 4 MZ
A4	44 mm
A5	30 mm
A	60 mm
A1	45 mm
H	50 mm
H2	25 mm
C2	32 mm
Weight	0,27 Kg
Basic dynamic load rating (C)	2,2 kN