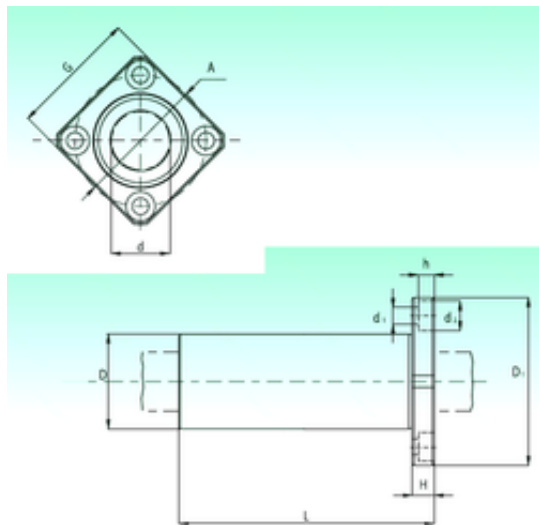




BEARING de Mexico?S.A.



KBKL 08 Bearing 2D drawings and 3D CAD models

NBS KBKL 08 Linear bearings

Bearing No. KBKL 08

Bore Diameter	8 mm
Outer Diameter	16 mm
d	8 mm
D	16 mm
d1	3,4 mm
d2	6,5 mm
h	3,3 mm
A	24 mm
D1	32 mm
G	25 mm
H	5 mm
L	45 mm
Weight	0,046 Kg
Basic dynamic load rating (C)	0,431 kN