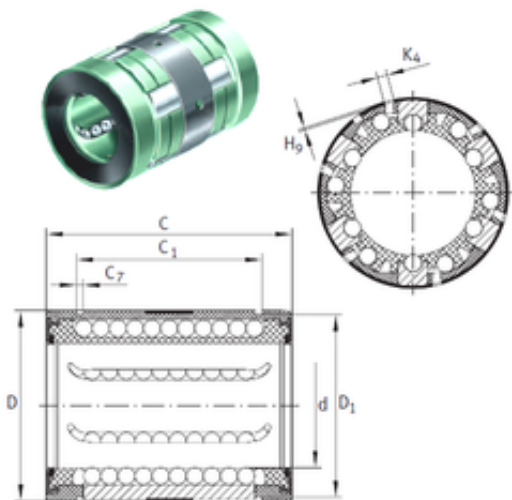




BEARING de Mexico?S.A.

INA KN16-B Linear bearings

Bearing No. KN16-B



KN16-B Bearing 2D drawings and 3D CAD models

Size	16x26x36 mm
Bore Diameter	16 mm
Outer Diameter	26 mm
Width	36 mm
d	16 mm
D	26 mm
C	36 mm
C7	1,3 mm
H9	0,7 mm
K4	3 mm
b1	1,5 mm
C1	24,6 mm
D1	25 mm