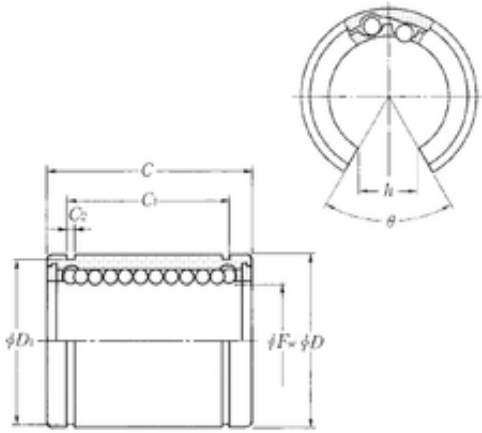




BEARING de Mexico?S.A.

NTN KLM35P Linear bearings

Bearing No. KLM35P



KLM35P Bearing 2D drawings and 3D CAD models

Size	35x52x70 mm
Bore Diameter	35 mm
Outer Diameter	52 mm
Width	70 mm
Fw	35 mm
D	52 mm
C	70 mm
h	15,1 mm
C1	49,2 mm
D1	49 mm
	50 mm
C2	2,2 mm
Weight	0,34 Kg
Basic dynamic load rating (C)	3 400 kN