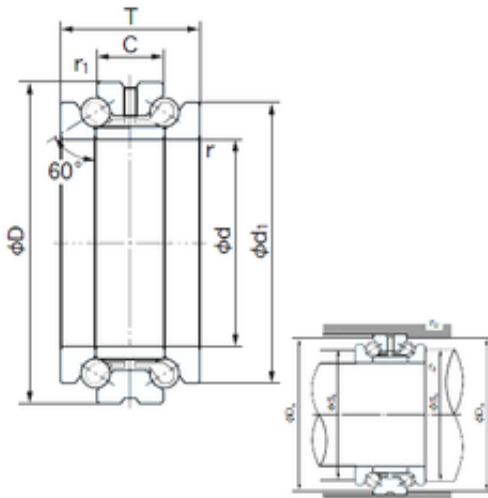




BEARING de Mexico?S.A.



114TAD20 Bearing 2D drawings and 3D CAD models

NACHI 114TAD20 Impulse ball bearings

Bearing No. 114TAD20

Size	114x170x72 mm
Bore Diameter	114 mm
Outer Diameter	170 mm
Width	72 mm
d	114 mm
D	170 mm
T	72 mm
ra1 max.	1 mm
Angle (°)	60 °
d1	150 mm
r min.	2 mm
r1 min.	1 mm
C	36 mm
da min.	132 mm
Da max.	161 mm
ra max.	2 mm
Weight	5.35 Kg
Basic dynamic load rating (C)	81,5 kN
Basic static load rating (C0)	236 kN
(Grease) Lubrication Speed	2500 r/min