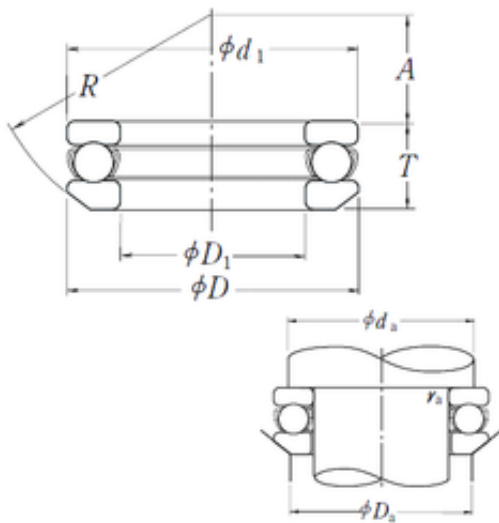




## BEARING de Mexico?S.A.



### NSK 53311 Impulse ball bearings

Bearing No. 53311

Size	55x105x39.3 mm
Bore Diameter	55 mm
Outer Diameter	105 mm
Width	39,3 mm
d	55 mm
D	105 mm
T	39,3 mm
d1	105 mm
r min.	1,1 mm
A	30 mm
D1	57 mm
R	80 mm
da min.	85 mm
Da max.	75 mm
ra max.	1 mm
Weight	1,45 Kg
Basic dynamic load rating (C)	115 kN
Basic static load rating (C0)	244 kN
(Grease) Lubrication Speed	1600 r/min
Category	Thrust Ball Bearing
Inventory	0.0
Manufacturer Name	NSK
Minimum Buy Quantity	N/A
Weight / Kilogram	1.69
EAN	0029176413162
Product Group	B00308

53311 Bearing 2D drawings and 3D CAD models



## BEARING de Mexico?S.A.

Rolling Element	Ball Bearing
Thrust Bearing	Yes
Single or Double Direction	Single Direction
Banded	No
Cage Material	Steel
Precision Class	Non-Precision
Component Description	Roller Assembly Plus Raceways
Other Features	Single Row   With Aligning Seat
Long Description	55MM Bore 1; 57MM Bore 2; 105MM Outside Diameter; 39MM Height; Ball Bearing; Single Direction; Not Banded; Steel Cage; Non-Precision
Inch - Metric	Metric
Category	Thrust Ball Bearings
UNSPSC	31171552
Harmonized Tariff Code	8482.10.50.08
Noun	Bearing
Keyword String	Ball Thrust
Manufacturer URL	<a href="http://www.nskamericas.com">http://www.nskamericas.com</a>
Weight / LBS	3.1967
Bore 2	2.244 Inch   57 Millimeter
Bore 1	2.165 Inch   55 Millimeter
Outside Diameter	4.134 Inch   105 Millimeter
Height	1.535 Inch   39 Millimeter
Overall Height with Aligning Washer	0 Inch   0 Millimeter
SRI	9.4
hidYobi	53311
LangID	1
D_	105



## BEARING de Mexico?S.A.

SREX	0.065
C	115
B_	39.3
hidTable	ecat_NSSDTB
Oil rpm	2400
SRE	9.4
mass	1.45
GRS rpm	1600
ra	1
SRIX	0.065
D_a	75
SRIN	0
C0	244
SREN	0
D_1	57
Prod_Type3	TB_SD_WAS
da	85
DA_	17.462
Z_	13
yobi	53311
A_	30
T3	39.3
SDM_	80
r	1.1
KBRG	5121
R_	80