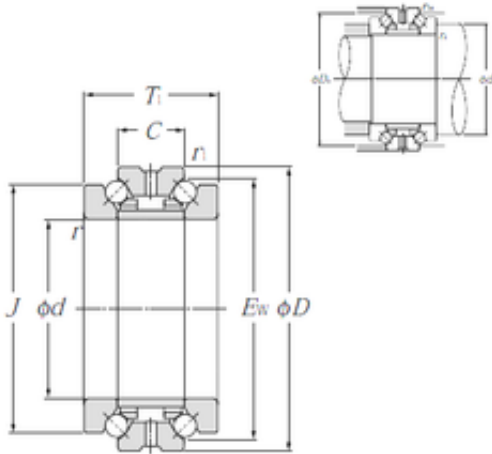




BEARING de Mexico?S.A.

NTN 562040 Impulse ball bearings

Bearing No. 562040



562040 Bearing 2D drawings and 3D CAD models

Bore Diameter	200 mm
Outer Diameter	282 mm
d	200 mm
D	310 mm
Ew	282 mm
T1	132 mm
C	66 mm
ra1 max.	1 mm
r min.	2,1 mm
r1 min.	1,1 mm
J	274 mm
da min.	243 mm
Da max.	300 mm
ra max.	2 mm
Weight	32,7 Kg
Basic dynamic load rating (C)	271 kN
Basic static load rating (C0)	1 030 kN
(Grease) Lubrication Speed	1 300 r/min