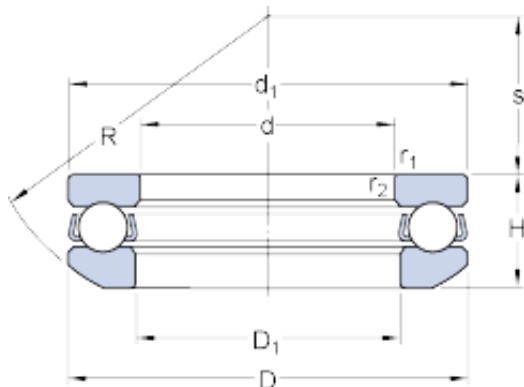




BEARING de Mexico?S.A.



SKF 53213 + U 213 Impulse ball bearings

Bearing No. 53213 + U 213

Size	100x65x28.7 mm
Bore Diameter	100 mm
Outer Diameter	65 mm
Width	28,7 mm
d	65 mm
D	100 mm
H	28.7 mm
H ₁	32 mm
d ₁	100 mm
D ₁	67 mm
D ₂	82 mm
D ₃	105 mm
C	9 mm
R	80 mm
s	40 mm
r _{1,2} - min.	1 mm
d _a - min.	86 mm
D _a - max.	82 mm
r _a - max.	1 mm
Basic dynamic load rating - C	60.5 kN
Basic static load rating - C ₀	150 kN
Fatigue load limit - P _u	5.5 kN
Reference speed	2600 r/min
Limiting speed	3600 r/min

53213 + U 213 Bearing 2D drawings and 3D CAD models



BEARING de Mexico?S.A.

Minimum load factor - A	0.14
H ₁	32 mm
d ₁	100 mm
D ₁	67 mm
D ₂	82 mm
D ₃	105 mm
r _{1,2} min.	1 mm
d _a min.	86 mm
D _a max.	82 mm
r _a max.	1 mm
Basic dynamic load rating C	60.5 kN
Basic static load rating C ₀	150 kN
Fatigue load limit P _u	5.5 kN
Minimum load factor A	0.14
Mass bearing (including seat washer where applicable)	0.91 kg