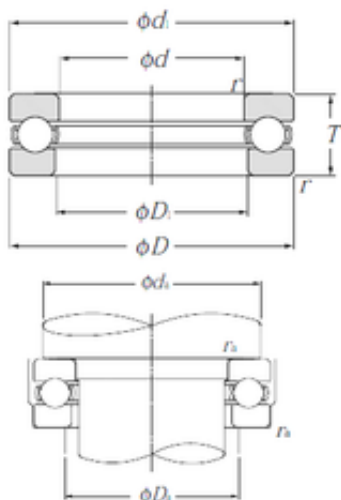




BEARING de Mexico?S.A.



NTN 51109 Impulse ball bearings

Bearing No. 51109

Size	45x65x14 mm
Bore Diameter	45 mm
Outer Diameter	65 mm
Width	14 mm
d	45 mm
D	65 mm
T	14 mm
d1	65 mm
r min.	0,6 mm
D1	47 mm
da min.	57 mm
Da max.	53 mm
ra max.	0,6 mm
Weight	0,148 Kg
Basic dynamic load rating (C)	27,9 kN
Basic static load rating (C0)	69 kN
(Grease) Lubrication Speed	3 200 r/min
Category	Thrust Ball Bearing
Inventory	6.0
Manufacturer Name	NTN
Minimum Buy Quantity	N/A
Weight / Kilogram	0.137
EAN	4547359306040
Product Group	B00308
Rolling Element	Ball Bearing
Thrust Bearing	Yes

51109 Bearing 2D drawings and 3D CAD models



BEARING de Mexico?S.A.

Single or Double Direction	Single Direction
Banded	No
Cage Material	Steel
Precision Class	ABEC 1 ISO P0
Component Description	Roller Assembly Plus Raceways
Other Features	Single Row With Flat Seat
Long Description	45MM Bore 1; 47MM Bore 2; 65MM Outside Diameter; 14MM Height; Ball Bearing; Single Direction; Not Banded; Steel Cage; ABEC 1 ISO P0 Precision
Inch - Metric	Metric
Category	Thrust Ball Bearings
UNSPSC	31171552
Harmonized Tariff Code	8482.10.50.08
Noun	Bearing
Keyword String	Ball Thrust
Manufacturer URL	http://www.ntnamerica.com
Manufacturer Item Number	51109
Weight / LBS	0.32628
Overall Height with Aligning Washer	0 Inch 0 Millimeter
Bore 2	1.85 Inch 47 Millimeter
Bore 1	1.772 Inch 45 Millimeter
Outside Diameter	2.559 Inch 65 Millimeter
Height	0.551 Inch 14 Millimeter
bore diameter:	45 mm
dynamic load capacity:	27900 N
outside diameter:	65 mm
operating temperature range:	-40 to 120 ° C
overall width:	14 mm



BEARING de Mexico?S.A.

maximum rpm:	4600 rpm
thrust bearing type:	Single-Direction
bearing material:	High Carbon Chrome Steel
outside diameter design:	Straight
cage material:	Steel
separable or banded:	Separable
fillet radius:	0.6 mm
precision rating:	ISO Class 0
series:	511
static load capacity:	69000 N
manufacturer product page:	Click here