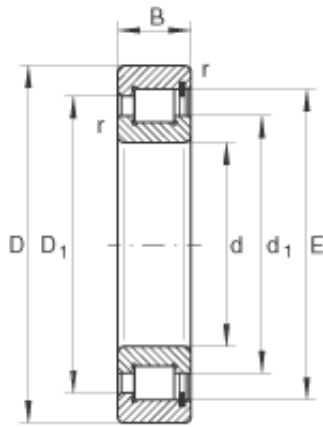




BEARING de Mexico?S.A.



240 mm x 360 mm x 92 mm INA SL183048 Cylindrical roller bearings

Bearing No. SL183048

SL183048 Bearing 2D drawings and 3D CAD models

Size	240x360x92 mm
Bore Diameter	240 mm
Outer Diameter	360 mm
Width	92 mm
d	240 mm
D	360 mm
B	92 mm
D ₁	322,1 mm
d ₁	277,5 mm
E	336 mm
r _{min}	3 mm
s	11 mm / Axial displacement
m	30,9 kg / Weight
C _r	1210000 N / Dynamic load rating (radial)
C _{0r}	1990000 N / Static load rating (radial)
C _{ur}	230000 N / Fatigue limit load, radial
n _G	1040 1/min / Limiting speed
Category	Cylindrical Roller Bearings
Inventory	0.0
Manufacturer Name	SCHAEFFLER GROUP
Minimum Buy Quantity	N/A
Weight / Kilogram	37.036
EAN	4012802136029



BEARING de Mexico?S.A.

Product Group	B04144
Bore Profile	Straight
Cage Material	None
Precision Class	RBEC 1 ISO P0
Number of Rows of Rollers	Single Row
Separable	No
Rolling Element	Cylindrical Roller Bearing
Profile	Complete with Outer and Inner Ring
Snap Ring	No
Internal Clearance	C0-Medium
Retainer	No
Relubricatable	Yes
Inch - Metric	Metric
Other Features	Full Complement 2 Rib Inner Ring 1 Rib Outer Ring with Retaining Ring Operating Temperature From -30 to 120 Deg
Long Description	240MM Bore; Straight Bore Profile; 360MM Outside Diameter; 92MM Width; RBEC 1 ISO P0; Single Row; Not Separable; No Snap Ring; Relubricatable; C0-Medium Internal Clearance; No Retainer
Category	Cylindrical Roller Bearing
UNSPSC	31171547
Harmonized Tariff Code	8482.50.00.00
Noun	Bearing
Manufacturer URL	http://www.ina.com
Manufacturer Item Number	SL183048
Weight / LBS	81.576
Outside Diameter	14.173 Inch 360 Millimeter
Bore	9.449 Inch 240 Millimeter



BEARING de Mexico?S.A.

Width	3.622 Inch 92 Millimeter
-------	----------------------------