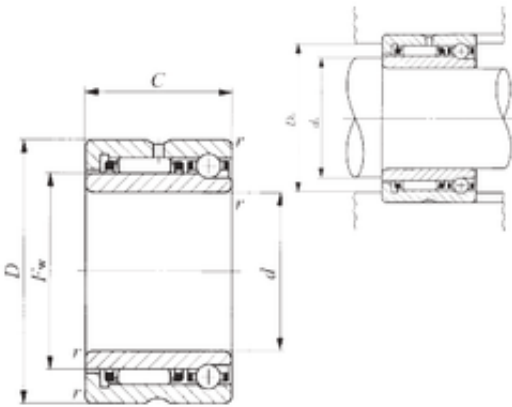




BEARING de Mexico?S.A.

50 mm x 72 mm x 30 mm IKO NATA 5910
Complex bearings

Bearing No. NATA 5910



NATA 5910 Bearing 2D drawings and 3D CAD models

Size	50x72x30 mm
Bore Diameter	50 mm
Outer Diameter	72 mm
Width	30 mm
d	50 mm
Fw	58 mm
D	72 mm
B	30 mm
C	30 mm
r min.	0,6 mm
da min.	54 mm
Da max.	68 mm
Weight	0,42 Kg
Dynamic load rating radial (C)	33,6 kN
Dynamic load rating axial (C)	5,66 kN
Static load rating radial (C0)	72,5 kN
Static load rating axial (C0)	13,6 kN