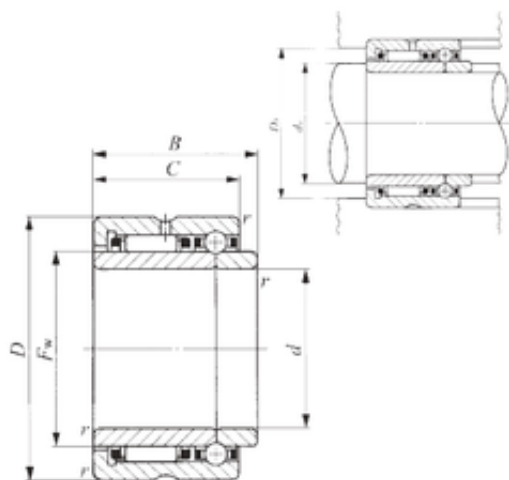




BEARING de Mexico?S.A.



NATB 5906 Bearing 2D drawings and 3D CAD models

30 mm x 47 mm x 25 mm IKO NATB 5906
Complex bearings

Bearing No. NATB 5906

| | |
|--------------------------------|-------------|
| Size | 30x47x25 mm |
| Bore Diameter | 30 mm |
| Outer Diameter | 47 mm |
| Width | 25 mm |
| d | 30 mm |
| Fw | 35 mm |
| D | 47 mm |
| B | 25 mm |
| C | 23 mm |
| r min. | 0,3 mm |
| da min. | 32 mm |
| Da max. | 45 mm |
| Weight | 0,157 Kg |
| Dynamic load rating radial (C) | 17,7 kN |
| Dynamic load rating axial (C) | 4,55 kN |
| Static load rating radial (C0) | 26,8 kN |
| Static load rating axial (C0) | 8,46 kN |