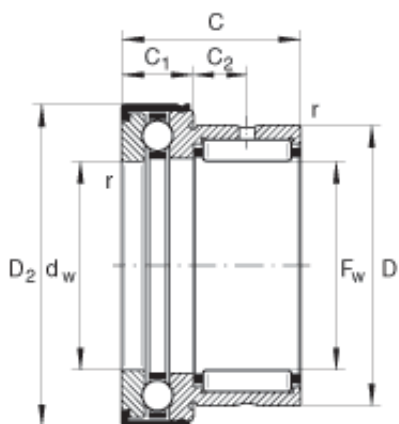




## BEARING de Mexico?S.A.



NKX70-Z Bearing 2D drawings and 3D CAD models

### INA NKX70-Z Complex bearings

Bearing No. NKX70-Z

Size	70x85x40 mm
Bore Diameter	70 mm
Outer Diameter	85 mm
Width	40 mm
$F_w$	70 mm
D	85 mm
C - 40 mm / Tolerance: -0,25	40 mm / Tolerance: 0,25
$C_1$ - 18 mm / Tolerance: -0,2	18 mm / Tolerance: 0,2
$C_2$	11 mm
$D_{2\max}$	96,5 mm
$d_a$	90,5 mm
$d_w$	70 mm / Tolerance: E8
$r_{a\max}$	1 mm
$r_{\min}$	1 mm
	NAXK70Z / Designation to DIN 5429
m	520 g / Weight
$C_r$	50000 N / Dynamic load rating (radial)
$C_{0r}$	92000 N / Static load rating (radial)
$C_a$	43000 N / Dynamic load rating (axial)
$C_{0a}$	127000 N / Static load rating (axial)



## BEARING de Mexico?S.A.

C <sub>ur</sub>	15700 N / Fatigue limit load, radial
C <sub>ua</sub>	6100 N / Fatigue limit load, axial
n <sub>G</sub>	2400 1/min / Limiting speed
	IR60X70X25 / Suitable inner ring
Category	Thrust Roller Bearing
Inventory	1.0
Manufacturer Name	SCHAEFFLER GROUP
Minimum Buy Quantity	N/A
Weight / Kilogram	0.728
EAN	4012802702132
Product Group	B00234
Rolling Element	Combination - Needle Roller and Thrust Ball Bearing
Self Aligning	No
Component Description	Roller Assembly plus Raceways
Thrust Bearing	Yes
Single or Double Direction	Single Direction
Banded	No
Cage Material	Steel
Precision Class	ABEC 1   ISO P0
Other Features	With Grease Retaining Cap
Long Description	70MM Bore 1; 70MM Bore 2; 85MM Outside Diameter; 40MM Height; Combination - Needle Roller and Thrust Ball Bearing; Single Direction; Not Self Aligning; Not Banded; Steel Cage; ABEC 1   ISO P0; Roller
Inch - Metric	Metric



## BEARING de Mexico?S.A.

Category	Thrust Roller Bearings
UNSPSC	31171537
Harmonized Tariff Code	8482.80.00.40
Noun	Bearing
Keyword String	Combination
Manufacturer URL	<a href="http://www.ina.com">http://www.ina.com</a>
Manufacturer Item Number	NKX70Z
Weight / LBS	1.103
Bore 2	2.756 Inch   70 Millimeter
Bore 1	2.756 Inch   70 Millimeter
Overall Height with Aligning Washer	0 Inch   0 Millimeter
Height	1.575 Inch   40 Millimeter
Outside Diameter	3.346 Inch   85 Millimeter