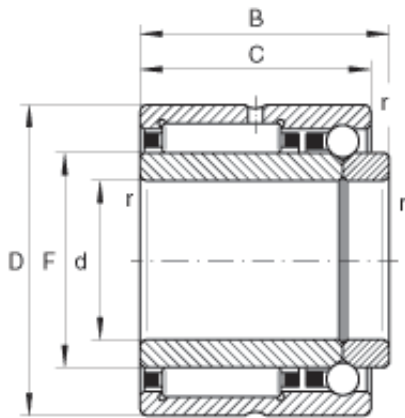




BEARING de Mexico?S.A.



25 mm x 42 mm x 25 mm INA NKIB5905 Complex bearings

Bearing No. NKIB5905

NKIB5905 Bearing 2D drawings and 3D CAD models

Size	25x42x25 mm
Bore Diameter	25 mm
Outer Diameter	42 mm
Width	25 mm
d	25 mm
D	42 mm
B	25 mm
C	23 mm
F	30 mm
r_{\min}	0,3 mm
m	134 g / Weight
C_r	26500 N / Dynamic load rating (radial)
C_{0r}	31500 N / Static load rating (radial)
C_a	5400 N / Dynamic load rating (axial)
C_{0a}	9300 N / Static load rating (axial)
C_{ur}	5700 N / Fatigue limit load, radial
C_{ua}	410 N / Fatigue limit load, axial
n_G	14600 1/min / Limiting speed
Category	Thrust Roller Bearing
Inventory	0.0



BEARING de Mexico?S.A.

Manufacturer Name	SCHAEFFLER GROUP
Minimum Buy Quantity	N/A
Weight / Kilogram	0.13
EAN	4012802059731
Product Group	B00234
Rolling Element	Combination - Needle Roller and Thrust Ball Bearing
Self Aligning	No
Component Description	Roller Assembly plus Raceways
Thrust Bearing	Yes
Single or Double Direction	Double Direction
Banded	No
Cage Material	Steel
Precision Class	ABEC 1 ISO P0
Long Description	25MM Bore 1; 25MM Bore 2; 42MM Outside Diameter; 25MM Height; Combination - Needle Roller and Thrust Ball Bearing; Double Direction; Not Self Aligning; Not Banded; Steel Cage; ABEC 1 ISO P0; Roller
Inch - Metric	Metric
Category	Thrust Roller Bearings
UNSPSC	31171537
Harmonized Tariff Code	8482.80.00.40
Noun	Bearing
Keyword String	Combination
Manufacturer URL	http://www.ina.com
Manufacturer Item Number	NKIB5905
Weight / LBS	0.295
Overall Height with Aligning Washer	0 Inch 0 Millimeter



BEARING de Mexico?S.A.

Height	0.984 Inch 25 Millimeter
Bore 1	0.984 Inch 25 Millimeter
Outside Diameter	1.654 Inch 42 Millimeter
Bore 2	0.984 Inch 25 Millimeter