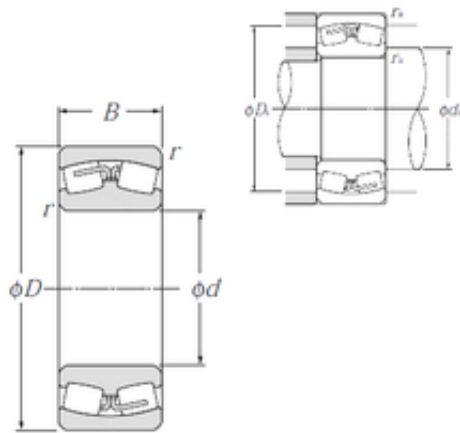




BEARING de Mexico?S.A.



220 mm x 340 mm x 118 mm NTN 24044B Bearing spherical bearings

Bearing No. 24044B

24044B Bearing 2D drawings and 3D CAD models

Size	220x340x118 mm
Bore Diameter	220 mm
Outer Diameter	340 mm
Width	118 mm
d	220 mm
D	340 mm
B	118 mm
C	118 mm
r min.	3 mm
da min.	234 mm
Da max.	326 mm
ra max.	2,5 mm
Weight	40,2 Kg
Basic dynamic load rating (C)	1 350 kN
Basic static load rating (C0)	2 570 kN
(Grease) Lubrication Speed	920 r/min
(Oil) Lubrication Speed	1 200 r/min
Calculation factor (e)	0,34
Calculation factor (Y0)	1,93
Calculation factor (Y1)	1,97
Category	Spherical Roller Bearings
Inventory	0.0
Manufacturer Name	NTN
Minimum Buy Quantity	N/A
Weight / Kilogram	43.14



BEARING de Mexico?S.A.

EAN	4547359523171
Product Group	B04311
Internal Clearance	C0-Medium
Mounting Method	Shaft Mount
Rolling Element	Spherical Roller Bearing
Bore Profile	Straight
Cage Material	Bronze
Enclosure	Open
Number of Rows of Rollers	Double Row
Relubricatable	Yes
Withdrawal Sleeve	Not Applicable
Withdrawal Nut	Not Applicable
Inch - Metric	Metric
Long Description	220MM Straight Bore; 340MM Outside Diameter; 118MM Width; C0-Medium Clearance; Shaft Mount; Double Row of Spherical Roller Bearings; Bronze Cage Material; Open Enclosure; Relubricatable
Category	Spherical Roller Bearing
UNSPSC	31171510
Harmonized Tariff Code	84823080
Noun	Bearing
Keyword String	Spherical
Manufacturer URL	http://www.ntnamerica.com
Weight / LBS	95.03
Outside Diameter	13.386 Inch 340 Millimeter
Width	4.646 Inch 118 Millimeter
Adapter Part Number	Not Applicable Inch Not Applicable Millimeter
Bore	8.661 Inch 220 Millimeter



BEARING de Mexico?S.A.