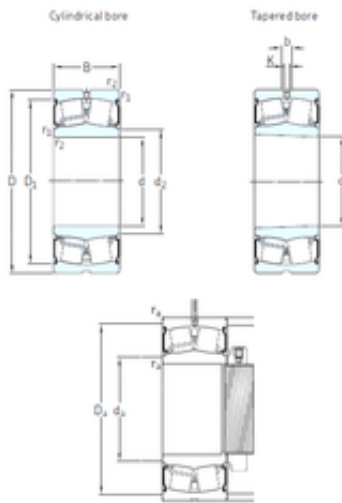




BEARING de Mexico?S.A.



110 mm x 180 mm x 56 mm SKF
23122-2CS5/VT143 Bearing spherical bearings

Bearing No. 23122-2CS5/VT143

Size	110x180x56 mm
Bore Diameter	110 mm
Outer Diameter	180 mm
Width	56 mm
d	110 mm
D	180 mm
B	56 mm
C	56 mm
b	8,3 mm
d2	122 mm
r1 min.	2 mm
r2 min.	2 mm
D1	166 mm
K	4,5 mm
da min.	121 mm
da max	122 mm
Da max.	169 mm
ra max.	2 mm
Weight	5,75 Kg
Basic dynamic load rating (C)	430 kN
Basic static load rating (C0)	585 kN
Fatigue load limit (Pu)	61
Limiting speed	800 r/min
Calculation factor (e)	0,27
Calculation factor (Y0)	2,5

23122-2CS5/VT143 Bearing 2D drawings and 3D CAD models



BEARING de Mexico?S.A.

Calculation factor (Y1)	2,5
Category	Roller Bearings
Inventory	0.0
Manufacturer Name	SKF
Minimum Buy Quantity	N/A
Weight / Kilogram	5.602
EAN	7316573402855
Product Group	B04311
d_2	122 mm
D_1	166 mm
$r_{1,2}$ min.	2 mm
d_a min.	121 mm
d_a max.	122 mm
D_a max.	169 mm
r_a max.	2 mm
Basic dynamic load rating C	451 kN
Basic static load rating C_0	585 kN
Fatigue load limit P_u	61 kN
Calculation factor e	0.27
Calculation factor Y_1	2.5
Calculation factor Y_2	3.7
Calculation factor Y_0	2.5
Mass bearing	5.75 kg