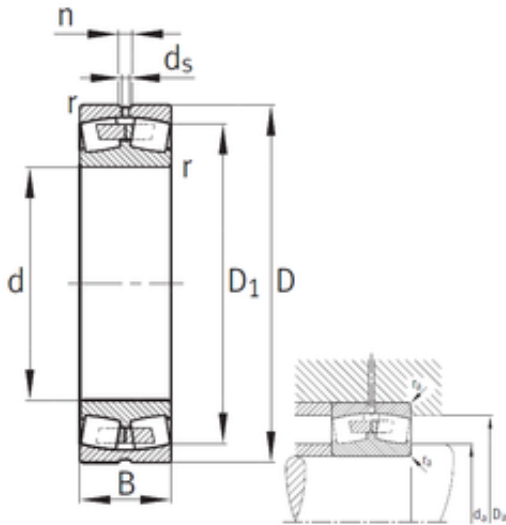




BEARING de Mexico?S.A.



360 mm x 650 mm x 232 mm FAG 23272-B-MB
Bearing spherical bearings

Bearing No. 23272-B-MB

| | |
|-------------------------------|----------------|
| Size | 360x650x232 mm |
| Bore Diameter | 360 mm |
| Outer Diameter | 650 mm |
| Width | 232 mm |
| d | 360 mm |
| D | 650 mm |
| B | 232 mm |
| C | 232 mm |
| n | 23,5 mm |
| r min. | 6 mm |
| D1 | 548,3 mm |
| da min. | 386 mm |
| Da max. | 624 mm |
| ra max. | 5 mm |
| d5 | 12,5 r/min |
| Weight | 347 Kg |
| Basic dynamic load rating (C) | 4900 kN |
| Basic static load rating (C0) | 9150 kN |
| Fatigue load limit (Pu) | 720 |
| Reference speed | 425 r/min |
| Limiting speed | 800 r/min |
| Calculation factor (e) | 0,38 |
| Calculation factor (Y0) | 1,74 |
| Calculation factor (Y1) | 1,78 |

23272-B-MB Bearing 2D drawings and 3D CAD models