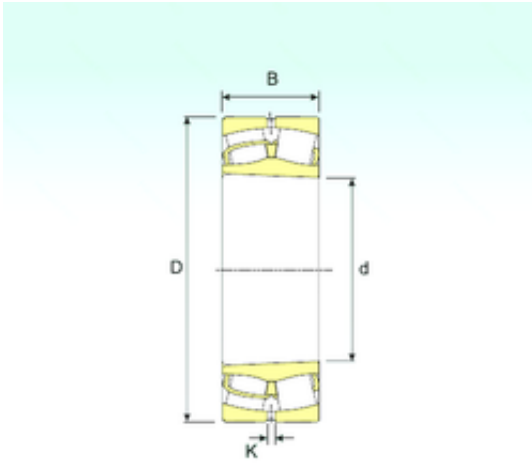




## BEARING de Mexico?S.A.



249/710 K30 Bearing 2D drawings and 3D CAD models

710 mm x 950 mm x 243 mm ISB 249/710 K30  
Bearing spherical bearings

Bearing No. 249/710 K30

Size	710x950x243 mm
Bore Diameter	710 mm
Outer Diameter	950 mm
Width	243 mm
d	710 mm
D	950 mm
B	243 mm
C	243 mm
K	12 mm
Weight	495 Kg
Basic dynamic load rating (C)	6664 kN
Basic static load rating (C0)	15288 kN
(Grease) Lubrication Speed	382,5 r/min