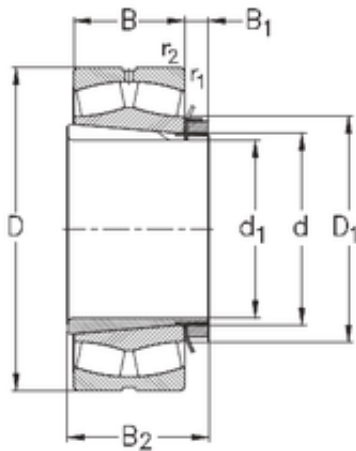




BEARING de Mexico?S.A.

180 mm x 280 mm x 74 mm NKE 23036-K-MB-W33+H3036 Bearing spherical bearings

Bearing No. 23036-K-MB-W33+H3036



23036-K-MB-W33+H3036 Bearing 2D drawings and 3D CAD models

| | |
|-------------------------------|---------------|
| Size | 180x280x74 mm |
| Bore Diameter | 180 mm |
| Outer Diameter | 280 mm |
| Width | 74 mm |
| d | 180 mm |
| d1 | 160 mm |
| D | 280 mm |
| B | 74 mm |
| C | 74 mm |
| r1 min. | 2,1 mm |
| r2 min. | 2,1 mm |
| B1 | 30 mm |
| B2 | 109 mm |
| D1 | 210 mm |
| Weight | 22,5 Kg |
| Basic dynamic load rating (C) | 725 kN |
| Basic static load rating (C0) | 1230 kN |
| Limiting speed | 2600 r/min |
| Calculation factor (e) | 0,26 |
| Calculation factor (Y0) | 2,5 |
| Calculation factor (Y1) | 2,6 |