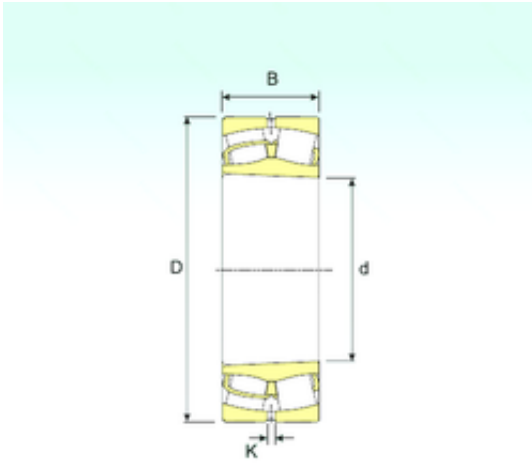




## BEARING de Mexico?S.A.



22272 K Bearing 2D drawings and 3D CAD models

360 mm x 650 mm x 170 mm ISB 22272 K  
Bearing spherical bearings

Bearing No. 22272 K

Size	360x650x170 mm
Bore Diameter	360 mm
Outer Diameter	650 mm
Width	170 mm
d	360 mm
D	650 mm
B	170 mm
C	170 mm
K	12 mm
Weight	255 Kg
Basic dynamic load rating (C)	4214 kN
Basic static load rating (C0)	6076 kN
(Grease) Lubrication Speed	650,25 r/min