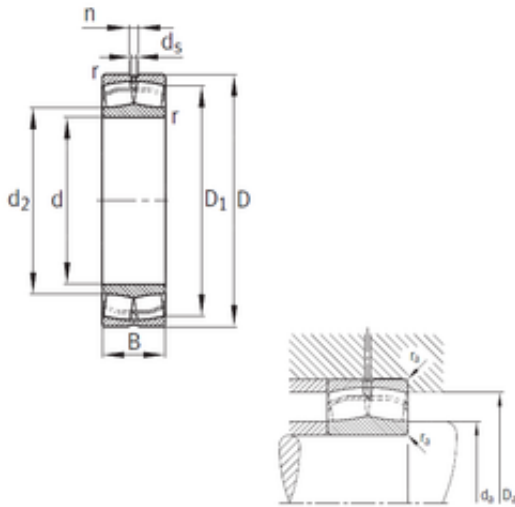




BEARING de Mexico?S.A.



200 mm x 340 mm x 112 mm FAG 23140-B-MB
Bearing spherical bearings

Bearing No. 23140-B-MB

Size	200x340x112 mm
Bore Diameter	200 mm
Outer Diameter	340 mm
Width	112 mm
d	200 mm
D	340 mm
B	112 mm
C	112 mm
n	17,7 mm
d2	– mm
r min.	3 mm
D1	293,3 mm
da min.	214 mm
Da max.	326 mm
ra max.	2,5 mm
d5	9,5 r/min
Weight	43 Kg
Basic dynamic load rating (C)	1320 kN
Basic static load rating (C0)	2280 kN
Fatigue load limit (Pu)	131
Reference speed	1 240 r/min
Limiting speed	1 700 r/min
Calculation factor (e)	0,35
Calculation factor (Y0)	1,91
Calculation factor (Y1)	1,95

23140-B-MB Bearing 2D drawings and 3D CAD models



BEARING de Mexico?S.A.