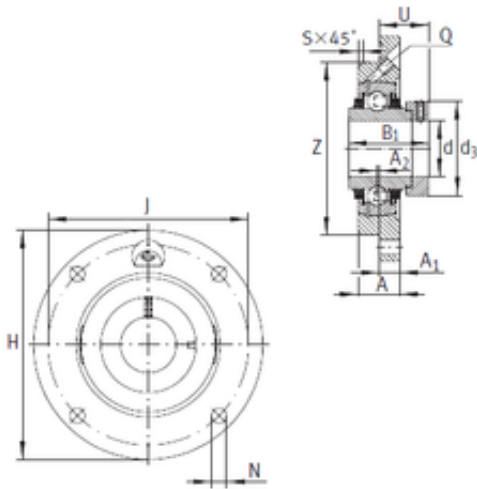




## BEARING de Mexico?S.A.



TME55 Bearing 2D drawings and 3D CAD models

### INA TME55 Ball bearings units

Bearing No. TME55

Bore Diameter	55 mm
d	55 mm
U	43,6 mm
Thread (Q)	M6
Z	125 mm
d3	76 mm
A	27,5 mm
A1	15 mm
B1	71,4 mm
H	185 mm
J	150 mm
N	18 mm
S	3 mm
Weight	3,38 Kg
Basic dynamic load rating (C)	43,5 kN
Category	Flange Block Bearings
Inventory	0.0
Manufacturer Name	SCHAEFFLER GROUP
Minimum Buy Quantity	N/A
Weight / Kilogram	4.095
Product Group	M06110
Number of Mounting Holes	4
Mounting Method	Eccentric Collar
Housing Style	4 Bolt Round Flange Cartridge
Rolling Element	Ball Bearing



## BEARING de Mexico?S.A.

Housing Material	Cast Iron
Expansion / Non-expansion	Non-expansion
Mounting Bolts	18 Millimeter
Relubricatable	Yes
Insert Part Number	GE55KPPB3
Seals	Double Triply
Housing Configuration	1 Piece Solid
Pilot Configuration	With Pilot
Inch - Metric	Metric
Long Description	4 Bolt Round Flange Cartridge; 55MM Bore; 150MM Bolt Circle; 107.5MM Bolt Spacing; 1 Piece Solid; Eccentric Collar Mount; Cast Iron; Ball Bearing; 71.4MM Length Thru Bore; Relubricatable; Double Tripl
Other Features	Single Row   Centering Spigot   With Set Screw
Category	Flange Block
UNSPSC	31171501
Harmonized Tariff Code	8483.20.40.40
Noun	Bearing
Keyword String	Flanged
Manufacturer URL	<a href="http://www.ina.com">http://www.ina.com</a>
Manufacturer Item Number	TME55
Weight / LBS	7.585
Cartridge Pilot Diameter	4.921 Inch   125 Millimeter
Bolt Spacing	4.2 Inch   107.5 Millimeter
Bore	2.165 Inch   55 Millimeter
Nominal Bolt Circle Diameter Round	5.9 Inch   150 Millimeter
Length Thru Bore	2.811 Inch   71.4 Millimeter
Cartridge Pilot Depth	0.374 Inch   9.5 Millimeter



## **BEARING de Mexico?S.A.**