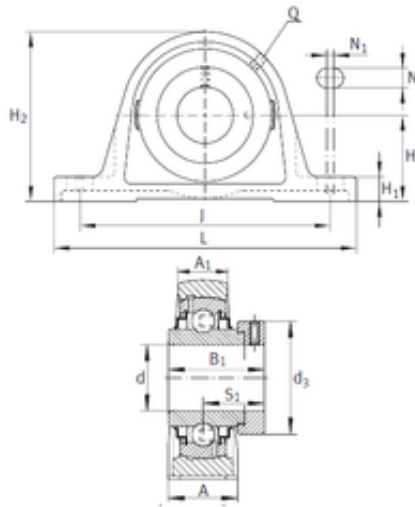




## BEARING de Mexico?S.A.



RAK7/8 Bearing 2D drawings and 3D CAD models

### INA RAK7/8 Ball bearings units

Bearing No. RAK7/8

Bore Diameter	22,225 mm
d	22,225 mm
S1	27,001 mm
Thread (Q)	1/8 NPT
d3	37,491 mm
A	37,008 mm
A1	21,997 mm
B	44,501 mm
H	33,351 mm
H1	14,301 mm
H2	68,276 mm
J	103,759 mm
L	139,7 mm
N	11,989 mm
N1	9,246 mm
Category	Pillow Block Bearings
Inventory	0.0
Manufacturer Name	SCHAEFFLER GROUP
Minimum Buy Quantity	N/A
Weight / Kilogram	0.9
Product Group	M06110
Number of Mounting Holes	2
Mounting Method	Eccentric Collar
Housing Style	2 Bolt Pillow Block
Rolling Element	Ball Bearing
Housing Material	Cast Iron



## BEARING de Mexico?S.A.

Expansion / Non-expansion	Non-expansion
Relubricatable	Yes
Insert Part Number	G1014KRRB
Seals	Double Land Riding Rubber Contact
Housing Configuration	1 Piece Solid
Inch - Metric	Inch
Other Features	Single Row   Low Base   With Set Screw
Long Description	2 Bolt Pillow Block; 7/8" Bore; 1-5/16" Base to Center Height; Eccentric Collar Mount; Ball Bearing; 3.721" Minimum Bolt Spacing; 4.449" Bolt Spacing Maximum; Relubricatable; Cast
Category	Pillow Block
UNSPSC	31171511
Harmonized Tariff Code	8483.20.40.40
Noun	Bearing
Keyword String	Pillow Block
Manufacturer URL	<a href="http://www.ina.com">http://www.ina.com</a>
Manufacturer Item Number	RAK7/8
Weight / LBS	1.985
Length Thru Bore	1.748 Inch   44.4 Millimeter
Bore	0.875 Inch   22.225 Millimeter
Bolt Spacing Minimum	3.721 Inch   94.513 Millimeter
Base to Center Height	1.313 Inch   33.35 Millimeter
Actual Bolt Center to Center	0 Inch   0 Millimeter
Bolt Spacing Maximum	4.449 Inch   113 Millimeter
Nominal Bolt Center to	4.1 Inch   105 Millimeter



## BEARING de Mexico?S.A.

Center	
--------	--