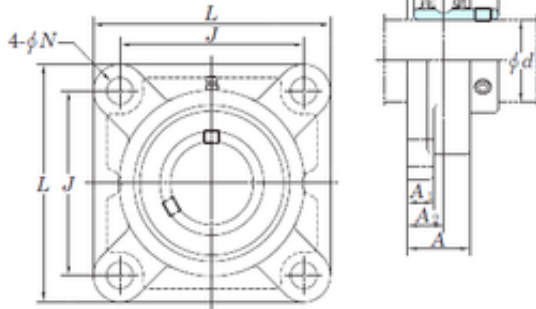




## BEARING de Mexico?S.A.

### KOYO UCF315 Ball bearings units

Bearing No. UCF315



UCF315 Bearing 2D drawings and 3D CAD models

Bore Diameter	75 mm
d	75 mm
A0	89 mm
A	66 mm
A1	25 mm
B	82 mm
J	184 mm
L	236 mm
N	25 mm
S	32 mm
Bolt (G)	M22
A2	39 mm
Weight	11,6 Kg
Basic dynamic load rating (C)	113 kN
Basic static load rating (C0)	77,2 kN
Bearing No.	UCF315
Bolt size	M22
Cr	113
C0r	77.2
f0	13.2
(Refer.)Unit mass(kg)	11.6
Nipple size	R1/8