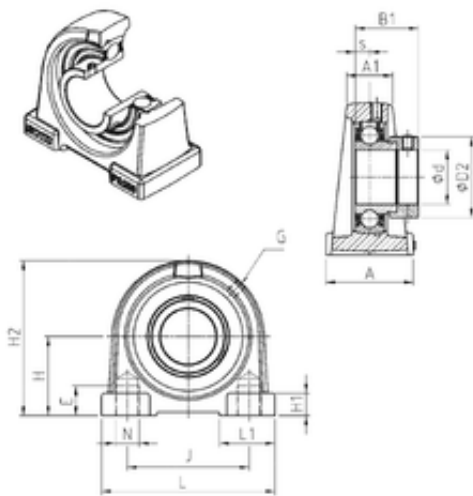




BEARING de Mexico?S.A.



SNR ESPA211 Ball bearings units

Bearing No. ESPA211

Bore Diameter	55 mm
d	55 mm
s	12 mm
A	66 mm
A1	33 mm
B1	48,4 mm
D2	76,2 mm
E	25 mm
H	63,5 mm
H1	14 mm
H2	125 mm
J	104 mm
L	140 mm
L1	47 mm
Thread (G)	M6x1
Thread (N1)	M16
Weight	2,9 Kg
Basic dynamic load rating (C)	43,55 kN

ESPA211 Bearing 2D drawings and 3D CAD models