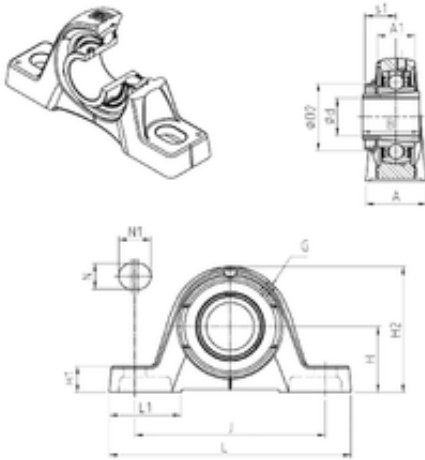




## BEARING de Mexico?S.A.



UKPE213H Bearing 2D drawings and 3D CAD models

### SNR UKPE213H Ball bearings units

Bearing No. UKPE213H

|                               |         |
|-------------------------------|---------|
| Bore Diameter                 | 60 mm   |
| d                             | 60 mm   |
| s1                            | 32 mm   |
| A                             | 65 mm   |
| A1                            | 44 mm   |
| B                             | 65 mm   |
| D2                            | 85 mm   |
| H                             | 79,4 mm |
| H1                            | 27,5 mm |
| H2                            | 156 mm  |
| J                             | 203 mm  |
| L                             | 260 mm  |
| L1                            | 77 mm   |
| N                             | 22 mm   |
| N1                            | 28 mm   |
| Thread (G)                    | R1/8"   |
| Weight                        | 7,3 Kg  |
| Basic dynamic load rating (C) | 57,2 kN |