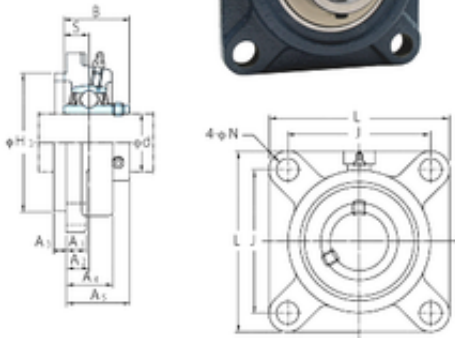




BEARING de Mexico?S.A.

FYH UCFS306 Ball bearings units

Bearing No. UCFS306



UCFS306 Bearing 2D drawings and 3D CAD models

Bore Diameter	30 mm
d	30 mm
H3	90 mm
A4	24 mm
A5	36 mm
A1	15 mm
B	43 mm
J	95 mm
L	125 mm
N	16 mm
S	17 mm
Bolt (G)	M14
A2	10 mm
A3	8 mm
Weight	1,9 Kg
Basic dynamic load rating (C)	26,7 kN
Basic static load rating (C0)	15 kN