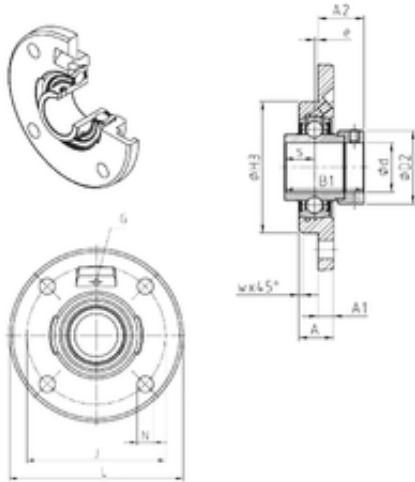




BEARING de Mexico?S.A.



SNR EXFCE204 Ball bearings units

Bearing No. EXFCE204

Bore Diameter	20 mm
d	20 mm
H3	62 mm
e	2 mm
s	17 mm
A	18 mm
A1	8 mm
B1	43,5 mm
D2	33,3 mm
J	78 mm
L	100 mm
N	9 mm
W	2 mm
Thread (G)	M6x1
A2	24,5 mm
Weight	0,6 Kg
Basic dynamic load rating (C)	12,8 kN

EXFCE204 Bearing 2D drawings and 3D CAD models