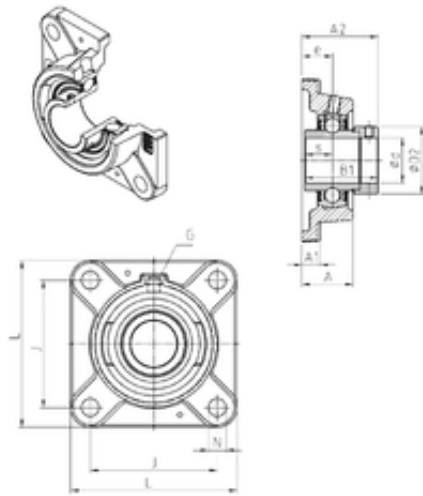




BEARING de Mexico?S.A.



SNR EXFE213 Ball bearings units

Bearing No. EXFE213

Bore Diameter	65 mm
d	65 mm
e	38 mm
s	34,1 mm
A	56 mm
A1	18 mm
B1	85,7 mm
D2	86 mm
J	150 mm
L	188 mm
N	18 mm
Thread (G)	R1/8"
A2	89,6 mm
Weight	6,6 Kg
Basic dynamic load rating (C)	57,2 kN

EXFE213 Bearing 2D drawings and 3D CAD models