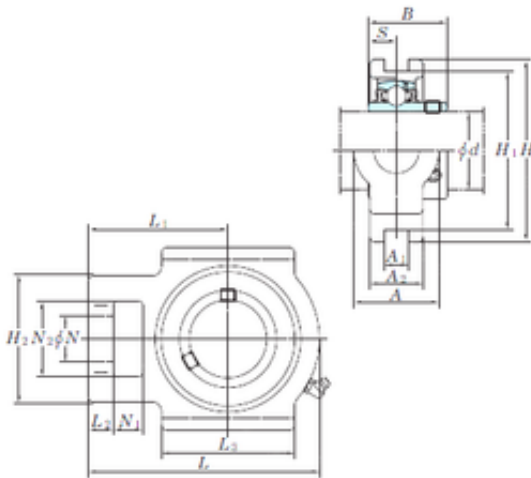




BEARING de Mexico?S.A.

KOYO UCT321 Ball bearings units

Bearing No. UCT321



UCT321 Bearing 2D drawings and 3D CAD models

Bore Diameter	105 mm
d	105 mm
L2	32 mm
L3	200 mm
A	120 mm
A1	35 mm
B	112 mm
H	290 mm
H1	260 mm
H2	175 mm
L	345 mm
L1	210 mm
N	59 mm
N1	48 mm
S	44 mm
A2	75 mm
N2	115 mm
Weight	36,7 Kg
Basic dynamic load rating (C)	184 kN
Basic static load rating (C0)	153 kN
Bearing No.	UCT321
Cr	184
C0r	153
f0	13.2
(Refer.)Unit mass(kg)	36.7
Nipple size	R1/8



BEARING de Mexico?S.A.