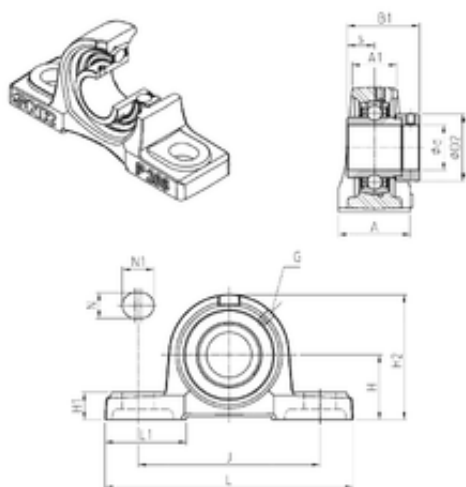




BEARING de Mexico?S.A.



SNR EXP202 Ball bearings units

Bearing No. EXP202

| | |
|-------------------------------|---------|
| Bore Diameter | 15 mm |
| d | 15 mm |
| s | 17 mm |
| A | 38 mm |
| A1 | 22 mm |
| B1 | 43,5 mm |
| D2 | 33,3 mm |
| H | 33,3 mm |
| H1 | 15 mm |
| H2 | 65 mm |
| J | 95 mm |
| L | 127 mm |
| L1 | 42 mm |
| N | 13 mm |
| N1 | 19 mm |
| Thread (G) | M6x1 |
| Weight | 0,8 Kg |
| Basic dynamic load rating (C) | 12,8 kN |

EXP202 Bearing 2D drawings and 3D CAD models