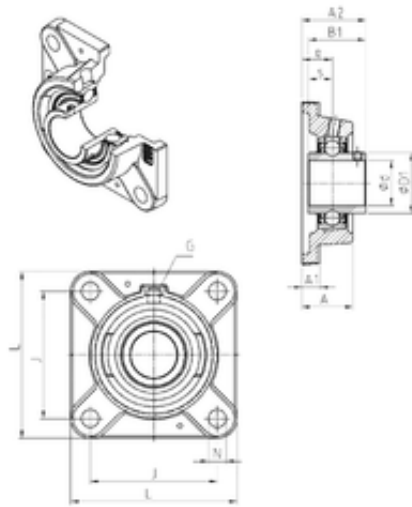




## BEARING de Mexico?S.A.



### SNR UCFC218 Ball bearings units

Bearing No. UCFC218

Bore Diameter	90 mm
d	90 mm
e	23,8 mm
s	39,7 mm
A	45 mm
A1	22 mm
B1	96 mm
D1	111 mm
J	187 mm
L	235 mm
N	23 mm
Thread (G)	R1/8"
A2	80,1 mm
Weight	10,4 Kg
Basic dynamic load rating (C)	96 kN

UCFC218 Bearing 2D drawings and 3D CAD models