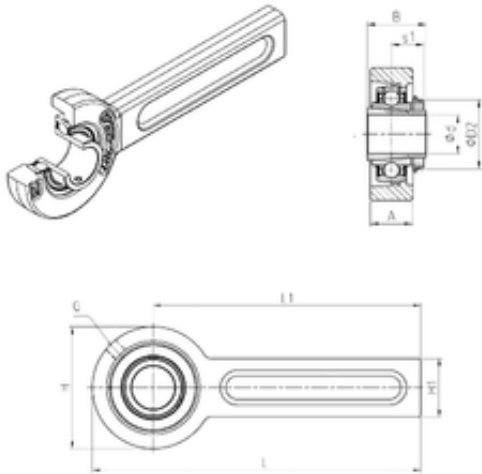




BEARING de Mexico?S.A.



SNR UKSP209H Ball bearings units

Bearing No. UKSP209H

Bore Diameter	40 mm
Width	50 mm
d	40 mm
s1	26 mm
A	31 mm
B	50 mm
D2	65 mm
H	120 mm
H1	61 mm
L	320 mm
L1	260 mm
Thread (G)	R1/8"
Weight	4,3 Kg
Basic dynamic load rating (C)	31,85 kN

UKSP209H Bearing 2D drawings and 3D CAD models