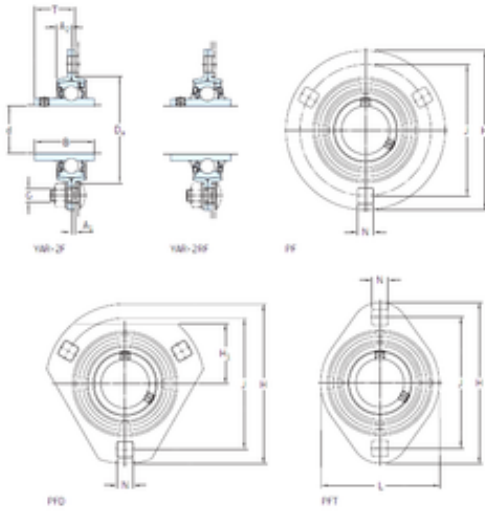




BEARING de Mexico?S.A.



PF 35 FM Bearing 2D drawings and 3D CAD models

SKF PF 35 FM Ball bearings units

Bearing No. PF 35 FM

Bore Diameter	35 mm
d	35 mm
Da	81 mm
A1	2,5 mm
B1	38,9 mm
G	10 mm
H	122 mm
H1	– mm
J	100 mm
L	–
N	11 mm
T	31,9 mm
A2	10 mm
Weight	0,7 Kg
Basic dynamic load rating (C)	25,5 kN
Basic static load rating (C0)	15,3 kN
Housing material	Pressed steel
A ₁	2.5 mm
A ₂	10 mm
B	25.4 mm
B ₄	6.75 mm
D _a min.	77 mm
s ₁	29.4 mm
Basic dynamic load rating C	25.5 kN
Basic static load rating C ₀	15.3 kN
Fatigue load limit P _u	0.655 kN



BEARING de Mexico?S.A.

Permissible radial housing load max.	6.5 kN
Mass unit	0.78 kg
Thread grub screw G ₂	M10x1
Hexagonal key size for grub screw N	5 mm
Recommended tightening torque for grub screw	16.5 N · m
Recommended diameter for attachment bolts, mm G	10 mm
Recommended diameter for attachment bolts, inch G	0.375 in