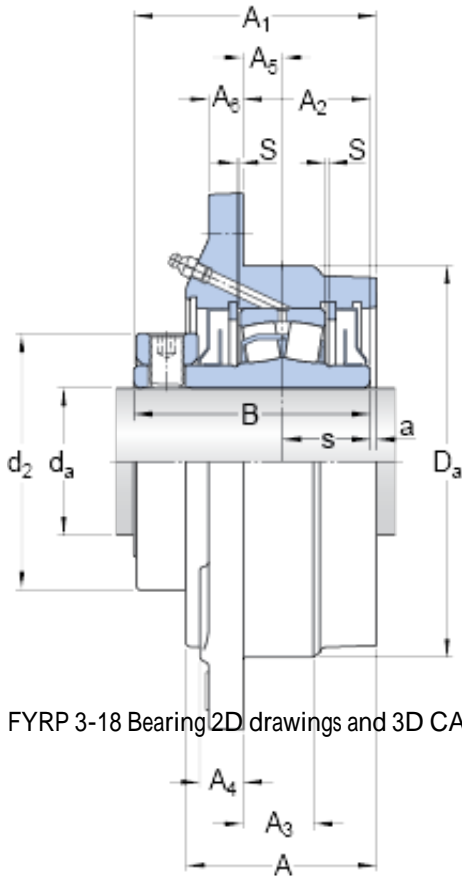




BEARING de Mexico?S.A.



FYRP 3-18 Bearing 2D drawings and 3D CAD models

SKF FYRP 3-18 Ball bearings units

Bearing No. FYRP 3-18

Size	76.2x111.125x161.925 mm
Bore Diameter	76,2 mm
Outer Diameter	111,125 mm
Width	161,925 mm
d_a	76.2 mm
d_2	111.125 mm
D_a	161.925 mm
A	79.375 mm
A_1	98.425 mm
A_2	51.594 mm
A_3	31.75 mm
A_4	20.638 mm
A_5	20.638 mm
A_6	17.462 mm
B	92.075 mm
a	7.144 mm
J	190.5 mm
L	222.25 mm
N_1	17.462 mm
s	31.75 mm
S	0.794 mm
Basic dynamic load rating - C	158 kN
Limiting speed	3400 r/min
Category	Bearings



BEARING de Mexico?S.A.

Inventory	0.0
Manufacturer Name	SKF
Minimum Buy Quantity	N/A
Weight / Kilogram	0
Product Group	M06288
d_a	76.2 mm
d_2	111.125 mm
D_a	161.925 mm
A_1	98.425 mm
A_2	51.594 mm
A_3	31.75 mm
A_4	20.637 mm
A_5	20.637 mm
A_6	17.462 mm
N_1	17.462 mm
Basic dynamic load rating C	158 kN
Mass bearing unit	8.85 kg
Attachment bolt diameter G	15.875 mm